

Haier

ENGLISH	INSTALLATION AND USER'S MANUAL
POLSKI	INSTRUKCJA MONTAŻU I OBSŁUGI

INSTALLATION AND USER'S MANUAL

CONTENT

INTRODUCTION	03
SAFETY PRECAUTION	03
ELECTRICAL INSTALLATION	05
SPECIFICATION	06
INSTALLATION (VENT OUTSIDE)	07
INSTALLATION (VENT INSIDE)	16
DESCRIPTION OF COMPONENTS	17
OPERATION	17
MAINTENANCE	20
TROUBLESHOOTING	21
CONFORMITY WITH DIRECTIVES	22
ENVIRONMENTAL PROTECTION	22

INTRODUCTION

Thank you for choosing this cooker hood.

This instruction manual is designed to provide you with all required instructions related to the installation, use and maintenance of the appliance. In order to operate the unit correctly and safety, please read this instruction manual carefully before installation and usage.

The cooker hood uses high quality materials, and is made with a streamlined design. Equipped with large power electric motor and centrifugal fan, it also provides strong suction power, low noise operation, non-stick grease filter and easy assembly installation.

Hereby, Candy Hoover Group Srl declares that the radio equipment is in compliance with Directive 2014/53/EU and with the relevant Statutory Requirements (for the UKCA market).

The full text of the declaration of conformity is available at the following internet address: www.candy-group.com

SAFETY PRECAUTION

- Never let the children operate the machine.
- The cooker hood is for home use only, not suitable for barbecue, roast shop and other commercial purpose.
- The cooker hood and its filter should be clean regularly in order to keep in good working condition.
- Clean the cooker hood according to the instruction manual and keep the unit from danger of burning.
- Forbid the direct baking from the gas cooker. Please keep the kitchen room a good convection.
- Before connecting this appliance check that the power supply cord is not damaged. A damage supply cord must be replaced by qualified service personnel only.
- There shall be adequate ventilation of the room when the range hood is used at the same time as appliances burning gas or other fuels;

- The air must not be discharged into a flue that is used for exhausting fumes from appliances burning gas or other fuels;
- Regulations concerning the discharge of air have to be fulfilled.

- Children should be supervised to ensure that they do not play with the appliance.
- Do not flambé under the range hood.
- The range hood is not intended to be installed over a hob having more than four hob elements

- There shall be adequate ventilation of the room when the range hood is used at the same time as appliances burning gas or other fuels(not applicable to appliances that only discharge the air back into the room);

- the details concerning the method and frequency of cleaning.
- there is a fire risk if cleaning is not carried out in accordance with the instructions;
- do not flame under the range hood;
- CAUTION: Accessible parts may become hot when used with cooking appliances.

Electrical Shock Hazard

- Only plug this unit into a properly earthed outlet. If in doubt seek advice from a suitably qualified engineer.
- Failure to follow these instructions can result in death, fire, or electrical shock.

Electrical Installation

All installation must be carried out by a competent person or qualified electrician. Before connecting the mains supply ensure that the mains voltage corresponds to the voltage on the rating plate.

Direct Connection

The appliance must be connected directly to the mains using an omnipolar circuit breaker with a minimum opening of 3mm between the contacts.

The installer must ensure that the correct electrical connection has been made and that it complies with the wiring diagram.

The cable must not be bent or compressed.

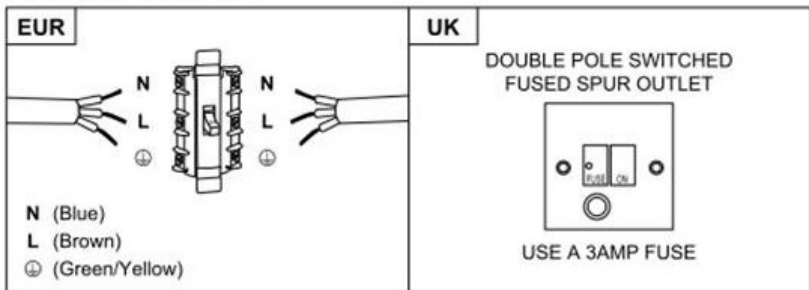
Regularly check the power plug and power cord for damage. If the supply cord is damaged, it must be replaced by a special cord or assembly available from the manufacturer or its service agent.

WARNING: This is a Class I appliance and **MUST** be earthed This appliance is supplied with a 3 core mains cable coloured as follows:

Brown = L or Live

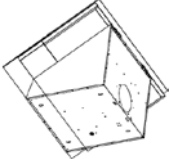










Blue = N or Neutral

Green and Yellow = E or Earth 



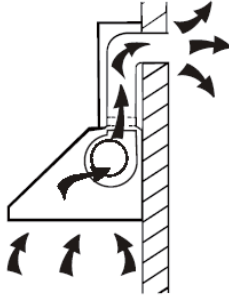
The fuse must be rated at 3 Amps.

Standard Installation Accessories List

Spec.	Illustration Picture	Qty
Hood body		1
Lower chimney (500mm)		1
Upper chimney (500mm)		1
Upper chimney bracket		1
Lower chimney bracket		1
Cooker hood bracket		1
φ8 rawl plugs φ8×φ6 white color		9
Screw (ST4 * 30 mm)		9
Screw (ST4 * 8 mm)		6
Air outlet		1
Carbon filter		2

INSTALLATION (wall mounting)

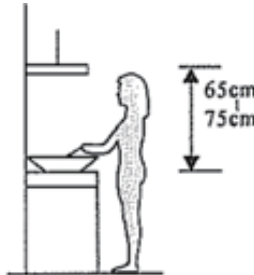
If you have an outlet to the outside, your cooker hood can be connected as below picture by means of an extraction duct (enamel, aluminum, flexible pipe non flammable with an interior diameter of 150mm)



1. Before installation, turn the unit off and unplug it from the outlet.



2. The cooker hood should be placed at a distance of 65~75cm above the cooking plane for best effect.

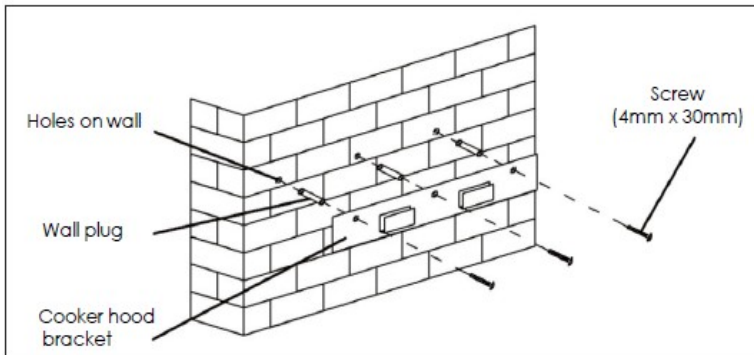


INSTALLING THE HOOD

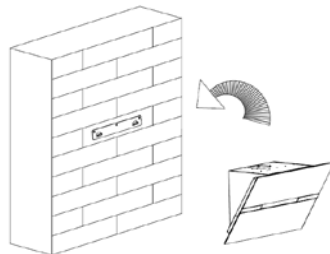
Position the hood at the desired height respecting the minimum height above the hob.

Mark the location of the wall bracket.(Placed the holes between 700 and 800 mm above the worktop) Remove the hood and position the wall bracket to mark the locations of the holes on the wall.

Drill the 3 holes in the wall to insert the appropriate fastening system (screw ST4x30mm)..



Hang the hood in the notches of the wall bracket.

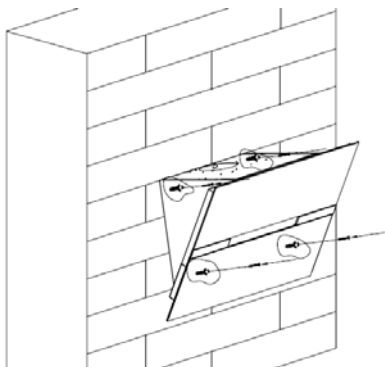


INSTALLING THE HOOD

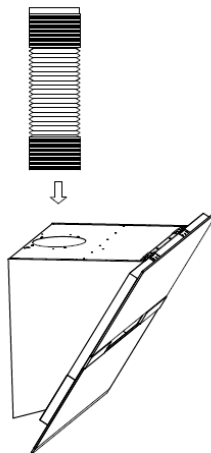
Once the hood is in place, locate the location of the 4 additional wall mount screws as shown in the following diagram.

Remove the hood to puncture the wall and install wall plugs.

Secure the body of the hood with 4 screws of 4 mm in diameter using dowels adapted to your wall.



If the extraction mode is selected, place the exhaust air duct on the air outlet as shown.



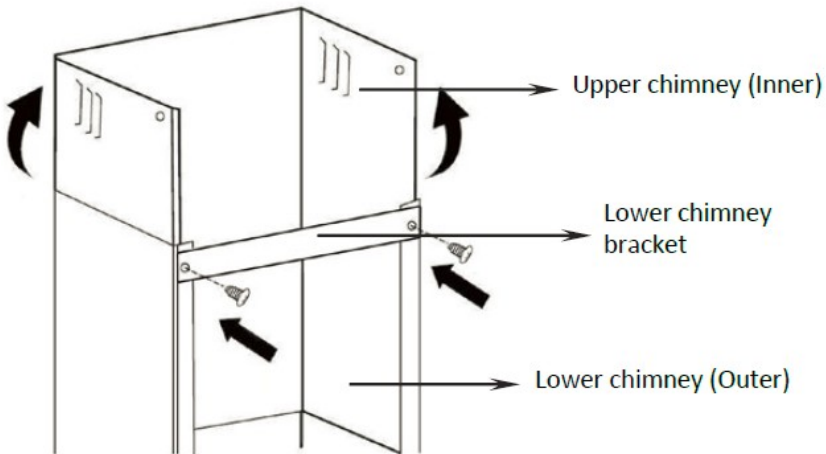
INSTALLING THE HOOD

Attach the lower chimney support to the lower chimney as shown.

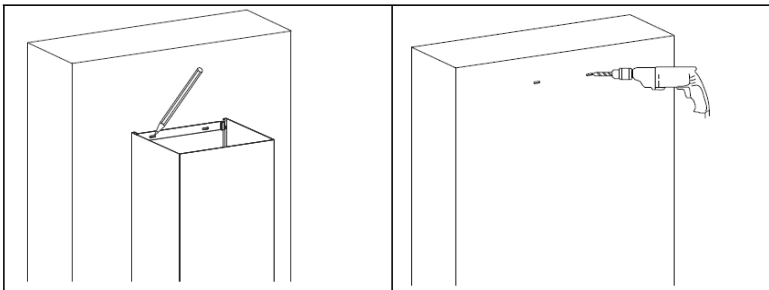
Use 2 screws ST4x8mm.

(Do not over tighten the screws, make sure the upper chimney can slide easily into the lower chimney)

Insert the upper chimney into the lower chimney.



Position the bottom chimney in the appliance, then mark the holes on the wall.

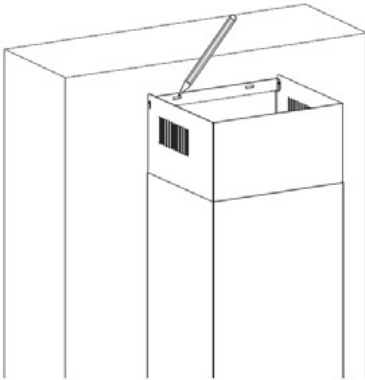
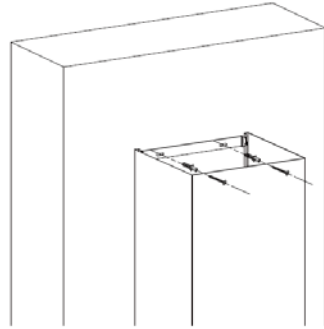


Remove the lower chimney, then drill holes in the wall: hole for screw diameter $\Phi 8$ mm

Use the dowels adapted to your wall

INSTALLING THE HOOD

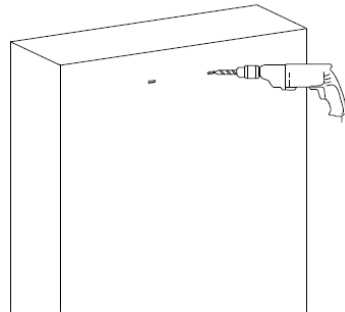
Install the lower chimney, then screw it to the wall with 2 screws of diameter Φ 8 mm



Then pull the upper chimney upwards to the desired height. Mark the locations of the mounting holes of the upper chimney support.

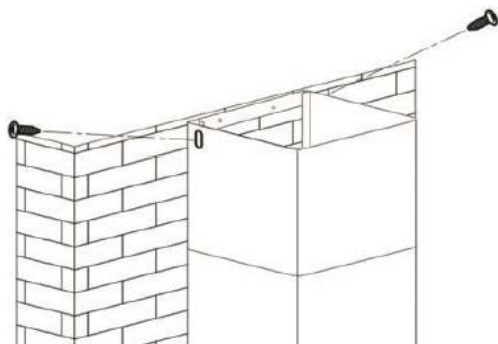
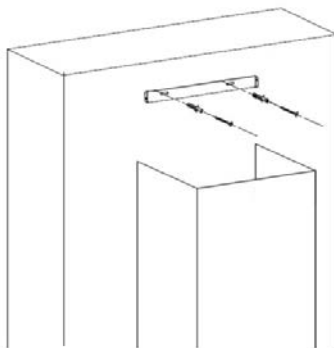
Lower the upper chimney and then drill holes in the wall.

Insert the dowels adapted to your wall



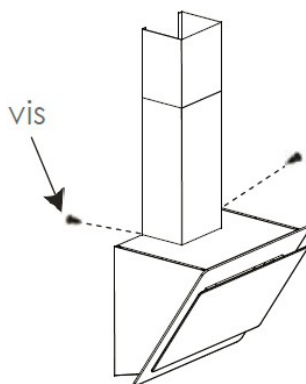
INSTALLING THE HOOD

Secure the wall bracket of the upper chimney to the wall using the selected dowels (8 mm screws recommended).








Reassemble the upper chimney and fix it to the wall bracket with 2 screws ST4x8mm

Fasten the lower chimney to the lugs of the kitchen hood using 2 screws ST4x8mm.



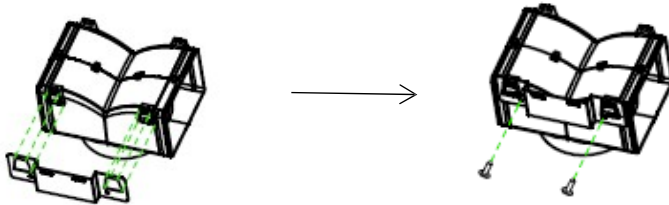
Standard Installation Accessories List

Spec.	Illustration Picture	Qty
Air Deflector		1
Bracket		1
φ8 rawl plugs φ8×φ6 white color		2
Screws ST4.0×30		2
Screws ST3.5×12		2

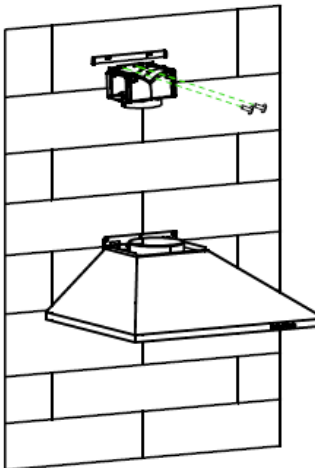
INSTALLATION(AIR DEFLECTOR FOR T-SHAPE,CURVED GLASS,FLAT GLASS MODELS):

Air deflector is mentioned as included and not optional.

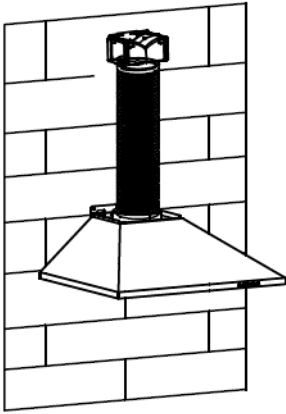
1. Fix the bracket to the T-shaped plastic outlet with 2pcs ST3.5x12mm screws provided as shown below:



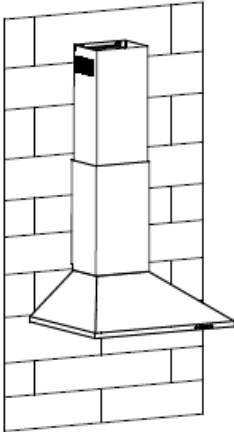
2. Drill 2 holes on the wall to accommodate the wall plugs, then screw and tighten the bracket onto the wall with 2pcs ST4x30mm screws provided.



3. Attach the exhaust pipe onto the air outlet of the cooker hood as shown below:



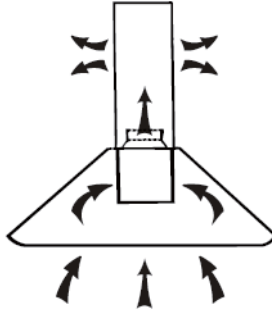
4. Install the chimney to the unit and fix it.



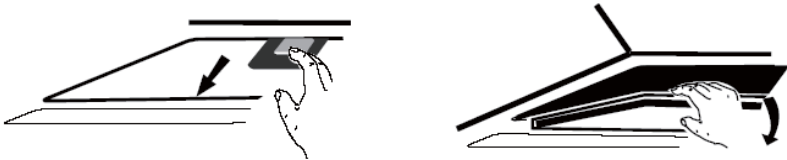
- o “Please kindly be noted: T-shaped plastic outlet and v-flaps can not be use d at the same time. You can use them in two ways: 1) Add v-flap on existing o utlet; 2) Use T-shaped plastic outlet, no add v-flap.”
- o “Note: The product is provided with v-flap accessory. This accessory is not mandatory for installation, operation and use of the product.”

INSTALLATION (VENT INSIDE)

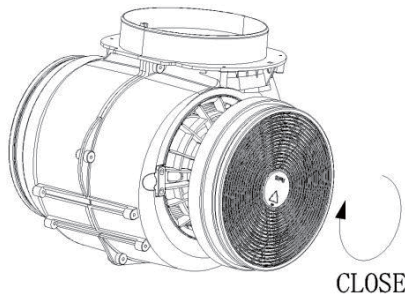
If you do not have an outlet to the outside, exhaust pipe is not required and the installation is similar to the one show in section “INSTALLATION (VENT OUTSIDE)”.



Activated carbon filter can be used to trap odors. In order to install the activated carbon filter, the grease filter should be detached first. Press the lock and pull it downward.



Plug the activated carbon filter into the unit and turn it in clockwise direction. Repeat the same on the other side.



NOTE:

- o *Make sure the filter is securely locked. Otherwise, it would loosen and cause dangerous.*
- o *When activated carbon filter attached, the suction power will be lowere*

DESCRIPTION OF COMPONENTS

CONFIGURATION 1

1

2

3

B

B⁺



OPERATION

1

Low Speed button

It's used for Ventilation on the kitchen. It is suitable for simmering and cooking which do not make much steam.

2

Medium Speed button

Airflow speed is ideally for ventilation in standard cooking operation.

3

High Speed button

When high density of smoke or steam produced, press high-speed button for high effective ventilation.

B

Boost 1(speed 4)

Press speed b button 1 , the backlit of speed B button is on, and the cooker hood is working at boost mode ;

B⁺

Boost 2(speed 5)

Press speed b button 2 , the backlit of speed B⁺ button is on, and the cooker hood is working at boost mode ;



Light

Short press for lighting on & off

Quick timer: Long press the light button hold for 3 seconds, fan speed buttons will flashing & into 5minutes count down, after 5 minutes motor & light will turn off automatic with three Buzzer sound.



Wi-Fi Connection

Long press WiFi icon and enter into connecting mode: the backlit of WiFi icon keep flashing indicate the connection is under connecting, the backlit of WiFi icon is light on indicate it is connected, same for standby mode; long press WiFi icon again and the connection will be stopped;

CONFIGURATION 2

1

2

3

B



STANDBY MODE.

After plug in, all lighting, system in **STANDBY MODE**.

1

Low Speed button

It's used for Ventilation on the kitchen. It is suitable for simmering and cooking which do not make much steam.

2

Medium Speed button

Airflow speed is ideally for ventilation in standard cooking operation.

3

High Speed button

When high density of smoke or steam produced, press high-speed button for high effective ventilation.

B

Booster function

This hood has a booster function. To activate the booster, Press

B to speed 4, enter into highest speed while the hood is in use and it will increase speed for 5 minutes, before slowing down again.



Light

Short press for lighting on & off

Quick timer: Long press the light button hold for 3 seconds, fan speed buttons will flashing & into 5minutes count down, after 5 minutes motor & light will turn off automatic with three Buzzer sound.



Wi-Fi Connection

Long press WiFi icon and enter into connecting mode: the backlit of WiFi icon keep flashing indicate the connection is under connecting, the backlit of WiFi icon is light on indicate it is connected, same for standby mode; long press WiFi icon again and the connection will be stopped;

Download hOn App



First of all, you should download hOn APP and install to your portable device. Then enroll your hood.



NOTE

Get ready to add your appliance

- 1 Stay close to your appliance
- 2 While in front of your appliance, ensure that your smartphone is connected to a 2.4GHz Wi-Fi network with a stronger signal
[CHANGE WI-FI SETTINGS](#)
- 3 Public networks are not allowed due to low security and reliability.
- 4 Prepare to enter your Home Wi-Fi password.

ENROLLMENT HAIER HOOD



The image of the hood has the only purpose of presenting it. May not be perfectly representative.

1- Press the WiFi button until the icon starts blinking When the pairing is completed the WiFi icon will be on.

MAINTENANCE

Before cleaning switch the unit off and pull out the plug.

I. Regular Cleaning

Use a soft cloth moistened with hand-warm mildly soapy water or household cleaning detergent. Never use metal pads, chemical, abrasive material or stiff brush to clean the unit.

II. Monthly Cleaning for Grease Filter

ESSENTIAL: Clean the filter every month can prevent any risk of fire.

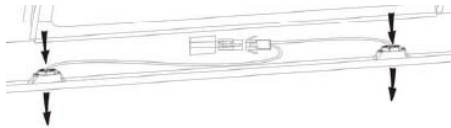
The filter collects grease, smoke and dust..... so the filter is directly affecting the efficiency of the cooker hood. If not cleaned, the grease residue (potential flammable) will saturate on the filter. Clean it with household cleaning detergent.

III. Annual Cleaning for Activated Carbon Filter

Apply SOLELY to unit that installed as a recirculation unit (not vented to the outside). This filter traps odors and must be replaced at least once a year depending on how frequent the cooker hood used.

IV. Changing a light bulb

Remove the screws on the glass, take off the hood glass. Find the bulb that requires replacement, you will find it located in the light fixture which is inside the exposed section of the canopy.



Disconnect the light wiring point and remove the bulb holders and wiring from the hood. Important: It's not possible to replace the bulbs individually, it will be necessary to obtain the bulbs, bulb holders and wiring as a complete part. (LED light: MAX 1.5W)

Fit the replacement bulbs, bulb holders and wiring in the same manners as the originals. Then reconnect the light wiring point.

Refit the hood glass and fasten the glass screws. Make sure the screws are fully tightened.

TROUBLESHOOTING

Fault	Cause	Solution
Light on, but fan does not work	The fan blade is jammed.	Switch off the unit and repair by qualified service personnel only.
	The motor is damaged.	
Both light and fan do not work	Halogen light bulb burn.	Replace the bulb with correct rating.
	Power cord looses.	Plug in to the power supply again.
Serious Vibration of the unit	The fan blade is damaged.	Switch of the unit and repair by qualified service personnel only.
	The fan motor is not fixed tightly.	Switch off the unit and repair by qualified service personnel only.
	The unit is not hung properly on the bracket.	Take down the unit and check whether the bracket is in proper location.
Suction performance not good	Too long distance between the unit and the cooking plane	Readjust the distance to 65-75cm

Technology	Wi-Fi
Standard	802.11 b/g/n
Frequency Band(s)[MHz]	2400 MHz - 2483.5 MHz
Maximum Power[mW]	100 mW

Product information for networked equipment	
power consumption of the product in networked standby if all wired network ports are connected and all wireless network ports are activated:	2 W
How to activate wireless network port:	If the Hood has been enrolled with the APP, turn on the Hood to activate wireless network port.
How to deactivate wireless network port:	If the Hood has been enrolled with the APP, turn off the Hood to deactivate wireless network port. If the Hood hasn't been enrolled with the APP, wireless network port will be deactivated even the Hood is on.

CUSTOMER ASSISTANCE SERVICE

If you cannot identify the cause of the operating anomaly, switch off the appliance and contact the Assistance Service.

PRODUCT SERIAL NUMBER. Where can I find it?

It is important you to inform the Assistance Service of your product code and its serial number (a 16 character code which begins with the number 3); this can be found on the guarantee certificate or on the data plate located on the appliance.

It will help to avoid wasted journeys to technicians, thereby (and most significantly) saving the corresponding callout charges.



This appliance is labelled in accordance with European Directive 2012/19/EU on Waste Electrical and Electronic Equipment Regulations 2013 regarding electric and electronic appliances (WEEE). The WEEE contain both polluting substances (that can have a negative effect on the environment) and base elements (that can be reused).

It is important that the WEEE undergo specific treatments to correctly remove and dispose of the pollutants and recover all the materials. Individuals can play an important role in ensuring that the WEEE do not become an environmental problem; it is essential to follow a few basic rules:

- the WEEE should not be treated as domestic waste;
- the WEEE should be taken to dedicated collection areas managed by the town council or a registered company.

In many countries, domestic collections may be available for large WEEEs. When you buy a new appliance, the old one can be returned to the vendor who must accept it free of charge as a one-off, as long as the appliance is of an equivalent type and has the same functions as the purchased appliance.

INSTRUKCJA MONTAŻU I OBSŁUGI

SPIS TREŚCI

WSTĘP	03
ŚRODKI OSTROŻNOŚCI	03
INSTALACJA ELEKTRYCZNA	05
SPECYFIKACJA	06
INSTALACJA (WENTYLACJA ZEWNĘTRZNA)	07
INSTALACJA (WENTYLACJA WEWNĘTRZNA)	16
OPIS ELEMENTÓW	17
OBSŁUGA	17
KONSERWACJA	20
ROZWIĄZYWANIE PROBLEMÓW	21
ZGODNOŚĆ Z DYREKTYWAMI	22
OCHRONA ŚRODOWISKA	22

WSTĘP

Dziękujemy za wybranie naszego okapu kuchennego.

Niniejsza instrukcja obsługi zawiera wszystkie wymagane instrukcje dotyczące montażu, użytkowania i konserwacji urządzenia.

Aby zapewnić prawidłową i bezpieczną obsługę urządzenia, przed jego instalacją i użytkowaniem należy dokładnie zapoznać się z niniejszą instrukcją obsługi.

Okap wykonany jest z wysokiej jakości materiałów i cechuje się opływowym wzornictwem. Wyposażony w silnik elektryczny o dużej mocy i wentylator odśrodkowy, zapewnia również dużą siłę ssania, cichą pracę, filtr tłuszczu zapobiegający przywieraniu i łatwy montaż.

Niniejszym Candy Hoover Group Srl oświadcza, że sprzęt radiowy jest zgodny z Dyrektywą 2014/53/UE oraz z odpowiednimi wymogami ustawowymi (dla rynku UKCA).

Pełny tekst deklaracji zgodności dostępny jest na stronie internetowej pod następującym adresem: www.candy-group.com

ŚRODKI OSTROŻNOŚCI

- Nigdy nie pozwalać dzieciom obsługiwać urządzenia.
- Okap kuchenny jest przeznaczony wyłącznie do użytku domowego, nie nadaje się do grillowania, punktu gastronomicznego z daniami pieczonymi i innych celów komercyjnych.
- Aby utrzymać okap kuchenny w dobrym stanie technicznym, należy regularnie czyścić okap i filtr.
- Oczyszczyć okap zgodnie z instrukcją obsługi i chronić urządzenie przed niebezpieczeństwem przypalenia.
- Zabrania się bezpośredniego pieczenia na kuchence gazowej. W kuchni należy zapewnić odpowiednią wentylację.
- Przed podłączeniem urządzenia należy sprawdzić, czy przewód zasilający nie jest uszkodzony. Uszkodzony przewód zasilający może być wymieniany wyłącznie przez wykwalifikowany personel serwisowy.
- W przypadku gdy okap kuchenny jest używany w tym samym czasie co urządzenia spalające gaz lub inne paliwa, musi być zapewniona odpowiednia wentylacja pomieszczenia;
- Nie wolno odprowadzać powietrza do przewodu kominowego wykorzystywanego do odprowadzania spalin z urządzeń spalających gazy lub inne paliwa;
- Należy zachować zgodność z przepisami dotyczącymi odprowadzania powietrza.

- Należy pilnować dzieci, aby nie bawiły się urządzeniem.
- Nie należy zbliżać płomienia do okapu kuchennego.
- Okap kuchenny nie jest przeznaczony do montażu nad płytą grzewczą posiadającą więcej niż cztery elementy płyty grzewczej

- W przypadku gdy okapy używane są w tym samym czasie co urządzenia spalające gaz lub inne paliwa, musi być zapewniona odpowiednia wentylacja pomieszczenia (nie dotyczy urządzeń, które wyłącznie odprowadzają powietrze do pomieszczenia);

- szczegółowe informacje na temat metody i częstotliwości czyszczenia.
- jeżeli czyszczenie nie odbywa się zgodnie z instrukcjami, istnieje zagrożenie pożarowe;
- Nie zbliżać płomienia do okapu nadkuchennego;
- OSTROŻNIE: Dostępne części mogą się nagrzewać podczas używania z urządzeniami do gotowania.

Zagrożenie porażeniem prądem elektrycznym

- Urządzenie należy podłączać wyłącznie do odpowiednio uziemionego gniazdka. W razie wątpliwości należy skonsultować się z odpowiednio wykwalifikowanym technikiem.
- Nieprzestrzeganie tych instrukcji może spowodować śmierć, pożar lub porażenie prądem elektrycznym.

INSTALACJA ELEKTRYCZNA

Wszelkie instalacje muszą być wykonane przez kompetentną osobę lub wykwalifikowanego elektryka. Przed podłączeniem zasilania sieciowego upewnij się, że napięcie sieciowe odpowiada napięciu na tabliczce znamionowej.

Bezpośrednie połączenie

Urządzenie musi być podłączone bezpośrednio do sieci za pomocą wyłącznika wielobiegunowego z minimalnym otwarciem 3 mm między stykami.

Instalator musi upewnić się, że wykonano prawidłowe połączenie elektryczne i jest ono zgodne ze schematem elektrycznym.


Przewód nie może być zgięty ani ściśnięty.

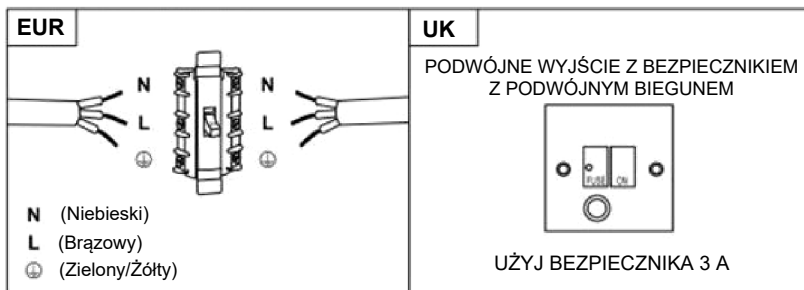
Regularnie sprawdzaj wtyczkę i przewód zasilający pod kątem uszkodzeń. Jeśli przewód zasilający jest uszkodzony, należy go wymienić na specjalny przewód lub zestaw dostępny u producenta lub jego przedstawiciela serwisowego.

OSTRZEŻENIE: Jest to urządzenie klasy I i **MUSI** być uziemione. To urządzenie jest dostarczane z 3-żyłowym kablem zasilającym w następującym kolorze:

Brązowy = L lub Żywy

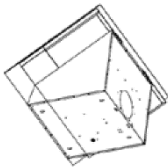










Niebieski = N lub Neutralny

Zielony i Żółty = E lub Ziemia 



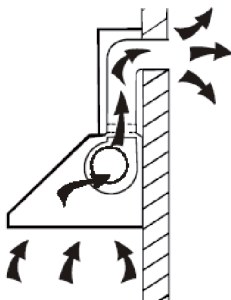
Bezpiecznik musi mieć wartość znamionową 3 A.

Lista standardowych akcesoriów instalacyjnych

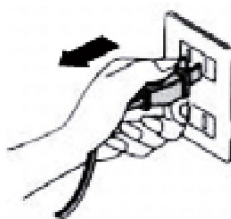
Spec.	Zdjęcie ilustracji	Ilość
Korpus kaptura		1
Dolny komin (500mm)		1
Górny komin (500mm)		1
Uchwyt górnego komina		1
Uchwyt dolnego komina		1
Wspornik okapu kuchennego		1
Ø8 kołki rozporowe Ø8xØ6 kolor biały		9
Śruby (ST4 * 30 mm)		9
Śruby (ST4 * 8 mm)		6
Wylot powietrza		1
Filtr węglowy		2

INSTALACJA (Montaż naścienny)

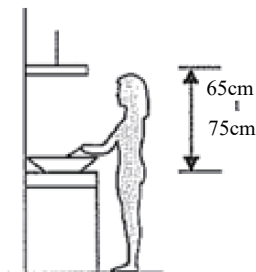
Jeśli dostępny jest wylot na zewnątrz, okap można połączyć przewodem odpływowym (emalia, aluminium, elastyczna rura materiał niepalny średnicy wewnętrznej 150 mm)



1. Przed montażem należy wyłączyć urządzenie i odłączyć je od źródła zasilania.



2. Aby uzyskać optymalny efekt, okap należy umieścić w odległości 65~75 cm nad płaszczyzną gotowania.

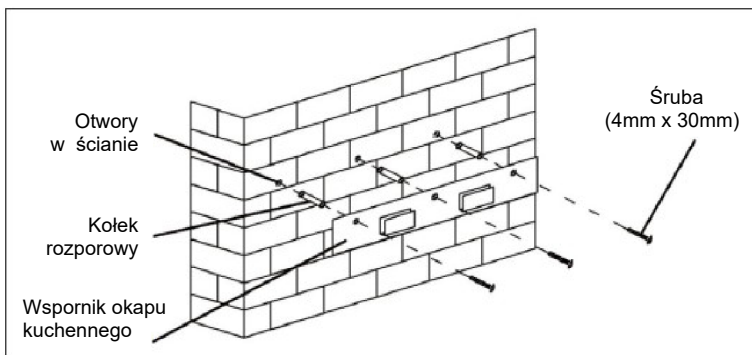


MONTAŻ OKAPU

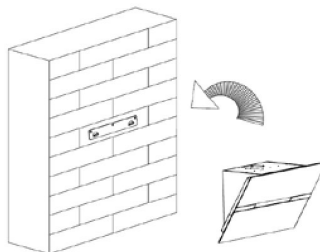
Ustaw okap na żądanej wysokości, przestrzegając minimalnej wysokości nad płytą grzejną.

Zaznacz położenie wspornika ściennego. (Umieść otwory między 700 a 800 mm nad blatem) Zdejmij okap i umieść wspornik ścienny, aby zaznaczyć położenie otworów na ścianie.

Wywierć 3 otwory w ścianie, aby wstawić odpowiedni system mocowania (śruba ST4x30mm).



Zawieś okap w wycięciach wspornika ściennego.

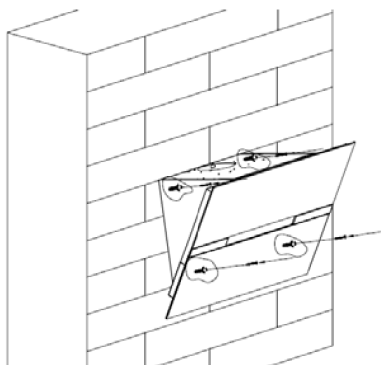


MONTAŻ OKAPU

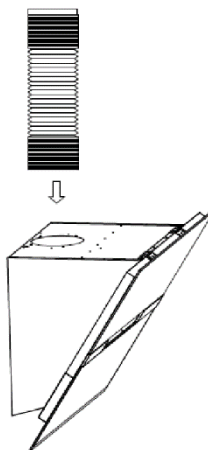
Po założeniu okapu zlokalizuj położenie 4 dodatkowych śrub do montażu na ścianie, jak pokazano na poniższym schemacie.

Zdejmij kaptur, aby przebić ścianę i zainstaluj kołki.

Przymocuj korpus okapu 4 śrubami o średnicy 4 mm za pomocą kołków dopasowanych do Twojej ściany.



Jeśli wybrano tryb wyciągu, umieść przewód powietrza wylotowego na wylocie powietrza, jak pokazano na rysunku.



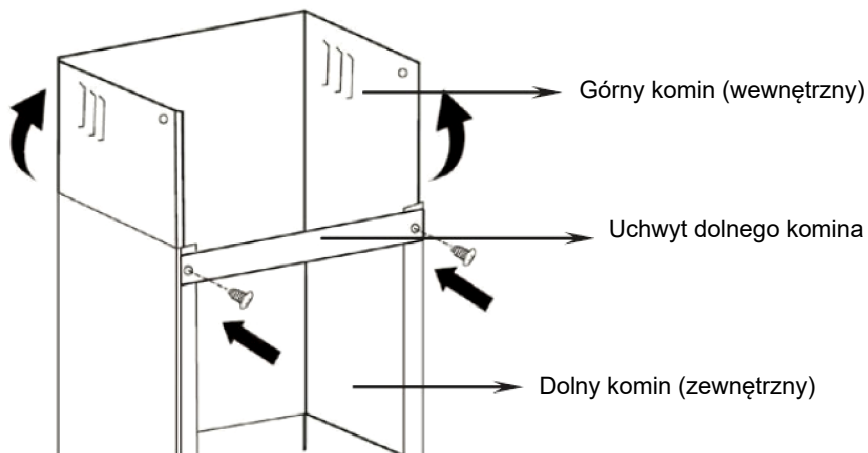
MONTAŻ OKAPU

Przymocuj dolny wspornik komina do dolnego komina, jak pokazano na rysunku.

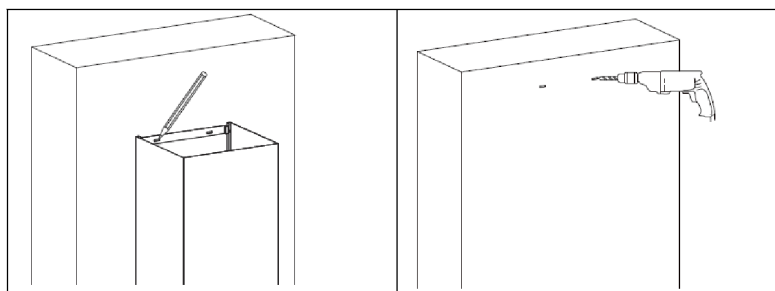
Użyj 2 śrub ST4x8mm.

(Nie dokręcaj zbyt mocno śrub, upewnij się, że górny komin może łatwo wsunąć się w dolny komin)

Włóż górny komin do dolnego komina.



Umieść dolny komin w urządzeniu, a następnie zaznacz otwory na ścianie.

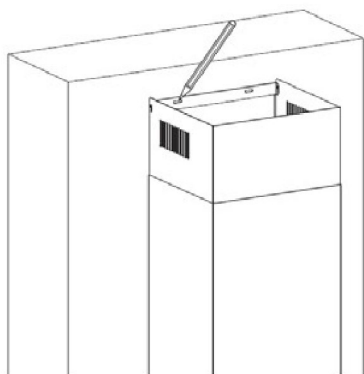
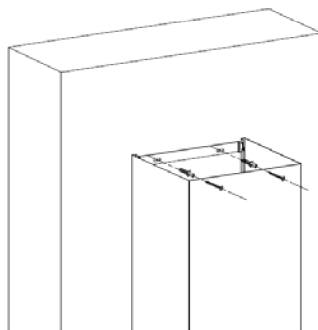


Zdejmij dolny komin, a następnie wywierć otwory w ścianie: otwór na śrubę Ø8 mm

Użyj kołków dostosowanych do Twojej ściany

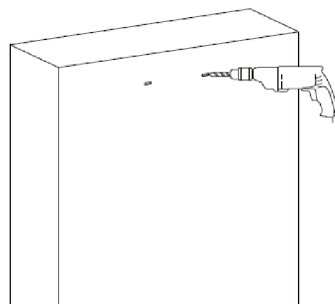
MONTAŻ OKAPU

Zamontuj dolny komin, a następnie przykręć go do ściany 2 śrubami o średnicy \varnothing 8 mm



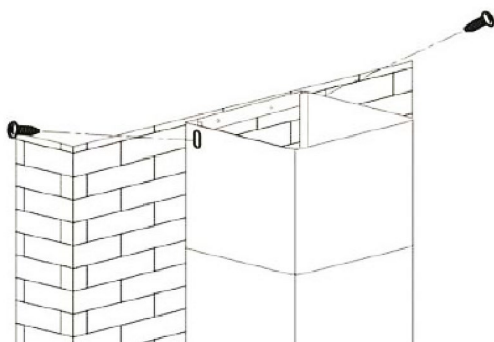
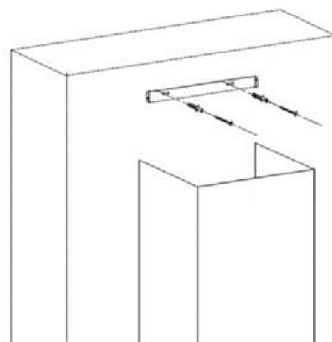
Następnie pociągnij górny komin do góry na żadaną wysokość. Zaznacz położenie otworów montażowych górnej podpory komina.

Opuść górny komin, a następnie wywierć otwory w ścianie. Włóż kołki dopasowane do Twojej ściany



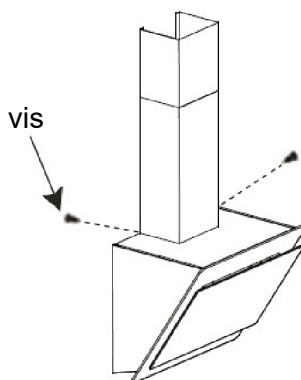
MONTAŻ OKAPU

Przymocuj wspornik ścienny górnego komina do ściany za pomocą wybranych kołków (zalecane wkręty 8 mm).

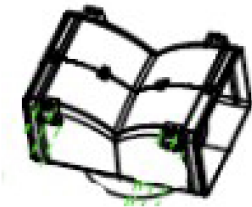






Zamontuj górny komin i przymocuj go do wspornika ściennego za pomocą 2 śrub ST4x8mm

Przymocuj dolny komin do uch okapu kuchennego za pomocą 2 wkrętów ST4x8mm.



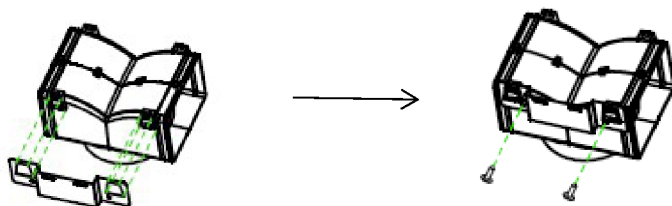
Lista standardowych akcesoriów instalacyjnych

Spec.	Zdjęcie ilustracji	Ilość
Deflektor powietrza		1
Wspornik		1
$\varnothing 8$ kołków rozporowych $\varnothing 8 \times \varnothing 6$ kolor biały		2
Śruby ST4.0x30		2
Śruby ST3,5x12		2

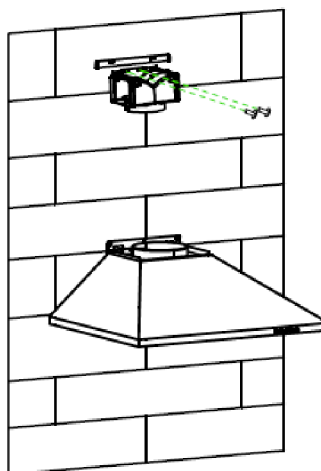
MONTAŻ (ODWIEWKA POWIETRZA DO MODELI W KSZTAŁCIE T, SZKŁA GIĘTEGO, SZKŁA PŁASKIEGO):

Deflektor powietrza jest wymieniony jako dołączony, a nie opcjonalny.

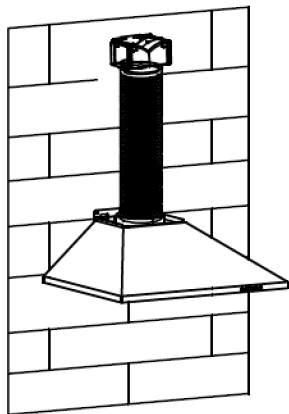
1. Zamocuj wspornik do plastikowego wylotu w kształcie litery T za pomocą 2 szt. śrub ST3,5x12mm dostarczonych, jak pokazano poniżej:



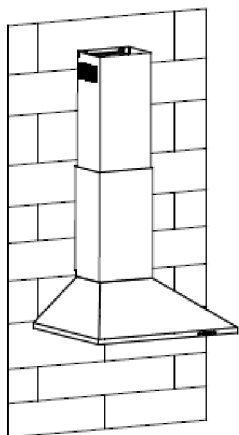
2. Wywierć 2 otwory w ścianie, aby umieścić kołki rozporowe, a następnie przykręć i dokręć wspornik do ściany za pomocą dołączonych 2 szt. wkrętów ST4x30mm.



3. Przymocuj rurę wydechową do wylotu powietrza okapu kuchennego, jak pokazano poniżej:



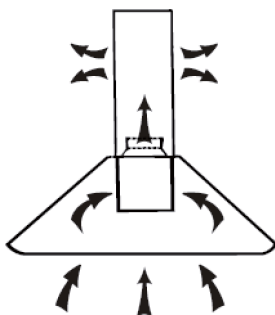
4. Zamontuj komin do urządzenia i zamocuj go.



- „Proszę zauważyć: Wylot plastikowy w kształcie litery T i klapki w kształcie litery V nie mogą być używane jednocześnie. Możesz ich użyć na dwa różne sposoby: 1) Dodaj klapkę w kształcie litery V na istniejącym wylocie; 2) Użyj plastikowego wylotu w kształcie litery T, bez dodawania klapki w kształcie litery V.”
- „Uwaga: Produkt jest dostarczany z akcesorium V-flap. To akcesorium nie jest obowiązkowe do instalacji, obsługi i użytkowania produktu.”

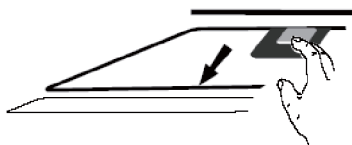
INSTALACJA (WENTYLACJA WEWNĘTRZNA)

Jeśli nie ma wyprowadzenia na zewnątrz, rura odprowadzająca nie jest wymagana, a instalacja jest podobna do tej pokazanej w rozdziale „INSTALACJA (WENTYLACJA ZEWNĘTRZNA)”.

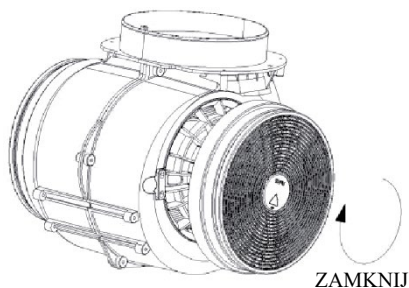


Filtr z węglem aktywnym służy do neutralizowania zapachów.

Aby zainstalować filtr z węglem aktywnym, należy najpierw wymontować filtr tłuszczu. Nacisnąć blokadę i pociągnąć w dół.



Włożyć filtr z węglem aktywnym do systemu i obrócić zgodnie z ruchem wskazówek zegara. Powtórzyć czynności z drugiej strony.



UWAGA;

- *Upewnij się, że filtr jest bezpiecznie zablokowany. W przeciwnym razie może się obluźnić i wywołać zagrożenie.*
- *Po podłączeniu filtra z węglem aktywnym, moc ssania będzie mniejsza*

OPIS ELEMENTÓW

KONFIGURACJA 1

1

2

3

B

B⁺



OBSŁUGA

1

Przycisk niskich obrotów

Służy do wentylacji kuchni. Odpowiedni do gotowania na wolnym ogniu i innych czynności wytwarzających niewielką ilość pary.

2

Przycisk średnich obrotów

Ta prędkość zasysania powietrza jest idealna do wentylacji przy standardowym gotowaniu.

3

Przycisk wysokich obrotów

Jeżeli wydobywa się gęsty dym lub para, naciśnięcie przycisku wysokich obrotów, aby zapewnić skuteczną wentylację.

B

Boost 1 (prędkość 4)

Naciśnij przycisk prędkości b 1, podświetlenie przycisku prędkości B jest włączone, a okap pracuje w trybie doładowania;

B⁺

Boost 2 (prędkość 5)

Naciśnij przycisk prędkości b 2, podświetlenie przycisku prędkości B+ zaświeci się, a okap pracuje w trybie doładowania;



Oświetlenie

Krótkie naciśnięcie do włączania i wyłączenia oświetlenia

Minutnik: Przytrzymaj przycisk światła przez 3 sekundy, przyciski prędkości wentylatora będą migać i odliczają 5 minut, po 5 minutach silnik i światło wyłączą się automatycznie z trzema dźwiękami brzęczyka.



Połączenie Wi-Fi

Długie naciśnięcie ikony Wi-Fi i wejście w tryb połączenia: podświetlenie ikony Wi-Fi miga, co wskazuje, że połączenie jest w trakcie łączenia, podświetlenie ikony Wi-Fi świeci, co oznacza, że jest podłączone, tak samo w trybie gotowości; ponownie długo naciśnij ikonę WiFi, a połączenie zostanie zatrzymane;

KONFIGURACJA 2

1

2

3

B



TRYB CZUWANIA.

Po podłączeniu oświetlenie, system w **TRYBIE CZUWANIA**

1

Przycisk niskich obrotów

Służy do wentylacji kuchni. Odpowiedni do gotowania na wolnym ogniu i innych czynności wytwarzających niewielką ilość pary.

2

Przycisk średnich obrotów

Ta prędkość zasysania powietrza jest idealna do wentylacji przy standardowym gotowaniu.

3

Przycisk wysokich obrotów

Jeżeli wydobywa się gęsty dym lub para, nacisnąć przycisk wysokich obrotów, aby zapewnić skuteczną wentylację.

B

Funkcja wzmocnienia

Ten okap ma funkcję wzmocnienia. Aby ją aktywować, naciśnij B do prędkości 4; ustaw najwyższą moc działania okapu. Okap będzie pracować z najwyższą mocą przez 5 minut zanim ponownie zwolni.



Oświetlenie

Krótkie naciśnięcie do włączania i wyłączenia oświetlenia

Minutnik: Przytrzymaj przycisk światła przez 3 sekundy, przyciski prędkości wentylatora będą migać i odliczają 5 minut, po 5 minutach silnik i światło wyłączą się automatycznie z trzema dźwiękami brzęczyka.



Połączenie Wi-Fi

Długie naciśnięcie ikony Wi-Fi i wejście w tryb połączenia: podświetlenie ikony Wi-Fi miga, co wskazuje, że połączenie jest w trakcie łączenia, podświetlenie ikony Wi-Fi świeci, co oznacza, że jest podłączone, tak samo w trybie gotowości; ponownie długo naciśnij ikonę WiFi, a połączenie zostanie zatrzymane;

Pobierz aplikację hOn



Przed wszystkim należy pobrać APLIKACJĘ hOn i zainstalować ją na swoim urządzeniu przenośnym. Następnie zarejestruj swój okap.



UWAGA

Get ready to add your appliance

- 1 Stay close to your appliance
- 2 While in front of your appliance, ensure that your smartphone is connected to a 2.4GHz Wi-Fi network with a stronger signal
[CHANGE WI-FI SETTINGS](#)
- 3 Public networks are not allowed due to low security and reliability.
- 4 Prepare to enter your Home Wi-Fi password.

REJESTRACJA OKAPU HAIER



Obraz okapu ma na celu jedynie jego przedstawienie. Może nie być idealnie reprezentatywny.

1- Naciśnij przycisk WiFi, aż ikona zacznie migać. Po zakończeniu parowania ikona WiFi będzie włączona.

KONSERWACJA

Przed czyszczeniem wyłączyć urządzenie i wyjąć wtyczkę z gniazdka.

I. Regularne czyszczenie

Używać miękkiej ściereczki zwilżonej ciepłą wodą z mydłem lub domowego środka czyszczącego. Nigdy nie używać do czyszczenia metalowych łopatek, materiałów ściernych ani sztywnej szczotki.

II. Comiesięczne czyszczenie filtra tłuszczu

WAŻNE: Czyszczenie filtra co miesiąc zapobiega ryzyku pożaru.

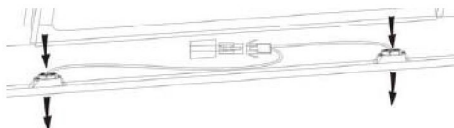
Filtr zbiera tłuszcz, dym i kurz, dzięki czemu filtr bezpośrednio wpływa na sprawność okapu kuchennego. Jeśli nie zostanie oczyszczony, resztki smaru (potencjalnie łatwopalne) nasycą filtr. Filtr należy oczyścić domowym detergentem.

III. Coroczne czyszczenie filtra z węglem aktywnym

Dotyczy WYŁĄCZNIE urządzenia instalowanego jako urządzenie recyrkulacyjne (bez odprowadzenia na zewnątrz). Filtr ten zatrzymuje nieprzyjemne zapachy i należy go wymieniać co najmniej raz w roku, w zależności od częstości używania okapu.

IV. Wymiana żarówki w lampce

Odkręć śruby na szybie, zdejmij szybę okapu kuchennego. Znajdź żarówkę, która wymaga wymiany, znajdziesz ją w oprawie oświetleniowej, która znajduje się wewnątrz odsłoniętej części okapu.



Odłącz punkt okablowania światła i wyjmij oprawki żarówki oraz okablowanie z okapu. Ważne: Nie jest możliwa tylko wymiana samych żarówek, konieczna będzie wymiana żarówek, oprawek do żarówek i okablowania jako całości. (Oświetlenie diodowe: MAKS. 1,5 W)

Wymienne żarówki, oprawki do żarówek i okablowanie należy montować w taki sam sposób jak oryginalne części. Następnie podłącz ponownie punkt okablowania światła.

Ponownie zamontuj szybę okapu i dokręć śruby. Upewnij się, że śruby są w pełni dokręcone.

ROZWIĄZYWANIE PROBLEMÓW

Usterka	Przyczyna	Rozwiązanie
Żarówka włączona, ale wentylator nie działa	Łopatką wentylatora jest zaklinowana.	Wyłącz urządzenie i powierz naprawę wyłącznie wykwalifikowanej osobie.
	Silnik jest uszkodzony.	
Zarówno lampa, jak i wentylator nie działają	Przepalona żarówka halogenowa.	Wymienić żarówkę na odpowiednik.
	Poluzowany przewód zasilający.	Ponownie prawidłowo włożyć do gniazdka.
Silne wibracje urządzenia	Łopatką wentylatora jest uszkodzona.	Wyłączyć urządzenie i powierzyć naprawę wyłącznie wykwalifikowanej osobie.
	Silnik wentylatora nie jest stabilnie przymocowany.	Wyłącz urządzenie i powierz naprawę wyłącznie wykwalifikowanej osobie.
	Urządzenie nie jest prawidłowo podwieszane na wsporniku.	Wymontować urządzenie i sprawdzić czy wspornik znajduje się w prawidłowym położeniu.
Wydajność ssania nie jest wystarczająca	Zbyt duża odległość między urządzeniem i powierzchnią gotowania	Wyregulować odległość na 65-75 cm

Technologia	Wi-Fi
Standard	802.11 b/g/n
Pasma(-a) częstotliwości [MHz]	2400 MHz - 2483.5 MHz
Moc maksymalna [mW]	100 mW

Informacje o produkcie dot. urządzeń sieciowych	
Pobór mocy piekarnika w trybie czuwania w sieci, jeśli wszystkie przewodowe porty sieciowe są podłączone i włączone są wszystkie porty sieci bezprzewodowej:	2 W
Sposób aktywowania portu sieci bezprzewodowej:	Jeśli okap został zarejestrowany w aplikacji, włącz go, aby aktywować port sieci bezprzewodowej.
Sposób dezaktywowania portu sieci bezprzewodowej:	Jeśli okap został zarejestrowany w aplikacji, wyłącz go, aby dezaktywować port sieci bezprzewodowej. Jeśli okap nie został zarejestrowany w aplikacji, port sieci bezprzewodowej zostanie dezaktywowany, nawet jeśli okap jest włączony.

SERWIS OBSŁUGI KLIENTA

Jeśli nie można zidentyfikować przyczyny nieprawidłowości w działaniu, należy wyłączyć urządzenie i skontaktować się z serwisem obsługi.

NUMER SERYJNY PRODUKTU. Gdzie go znaleźć?

Ważne jest, abyś poinformował serwis obsługi o swoim kodzie produktu i jego numerze seryjnym (kod 16 znaków, który zaczyna się od cyfry 3); można go znaleźć na certyfikacie gwarancyjnym lub na tabliczce znamionowej umieszczonej na urządzeniu.

Pomoże to uniknąć niepotrzebnego wysłania techników do naprawy, a tym samym (i co najważniejsze) zaoszczędzić opłaty za taką usługę.



To urządzenie jest oznakowane zgodnie z Dyrektywą Europejską 2012/19/UE w sprawie przepisów dotyczących zużytego sprzętu elektrycznego i elektronicznego z 2013 r. dotyczących urządzeń elektrycznych i elektronicznych (WEEE). Zużyty sprzęt elektryczny i elektroniczny zawiera substancje zanieczyszczające (które mogą wywierać negatywny wpływ na środowisko) oraz elementy podstawowe (które nadają się do ponownego wykorzystania).

Ważne jest właściwe przetwarzanie zużytego sprzętu elektrycznego i elektronicznego w celu prawidłowego usunięcia i utylizacji wszystkich substancji zanieczyszczających oraz odzyskania pozostałych materiałów. Każdy może odegrać ważną rolę w zadbaniu o to, by zużyty sprzęt elektryczny i elektroniczny nie zagrażał środowisku. Zasadnicze znaczenie ma przestrzeganie kilku podstawowych zasad:

- Zużytego sprzętu elektrycznego i elektronicznego nie należy traktować jak odpadów z gospodarstwa domowego
- Zużyty sprzęt elektryczny i elektroniczny powinien być odwożony do wyznaczonych punktów zbiórki odpadów zarządzanych przez radę miasta lub zarejestrowaną firmę.

W wielu krajach organizowane są lokalne zbiórki dużego zużytego sprzętu elektrycznego i elektronicznego. Po zakupie nowego urządzenia, stare można oddać dostawcy, który musi je bezpłatnie przyjąć w ramach wymiany, jeśli to urządzenie jest podobnego typu i ma takie same funkcje jak urządzenie zakupione.